

HAK

**NON RISING STEM
RESILIENT SEATED**

GATE VALVE

PN 16

LONG LIFE VALVES



	mm	50	65	80	100	125	150	200	250	300	350	400	450	500	600
	inches	2"	2.5"	3"	4"	5"	6"	8"	10"	12"	14"	16"	18"	20"	24"
HAK		*	*	*	*	*	*	*	*	*	*	*	*	*	*

Description

Operation

T-key/ Handwheel/ Electric actuator.

Coating

Thermoplastic- Plascoat PPA 571 AQUA
Optional: Rilsan(Nylon 11)/ Epoxy/ Enamel (internal)

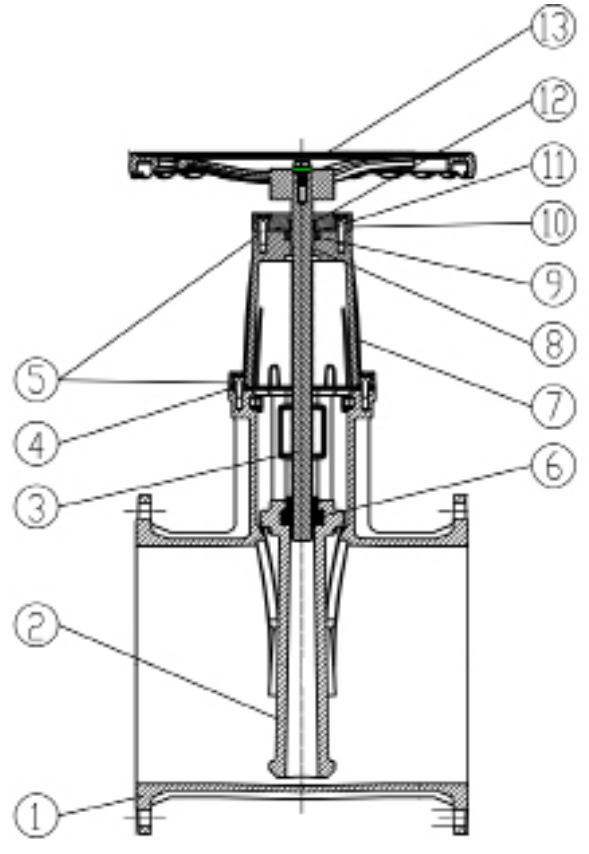
Features

- Fully rubber vulcanized wedge (EPDM).
- Smooth surface seating to prevent impurity accumulation.
- All inner components in contact with fluid are made of SS or copper alloy.
- Low operating torques.
- Longer life cycle.
- Compact weight.

Materials*

Item No.	Description	Material
1	Body	Ductile Iron
2	Wedge	Ductile Iron+EPDM
3	Stem	SS
4	Bonnet gasket	NBR
5	Bolts	SS
6	Thrust Nut	Copper alloy
7	Bonnet	Ductile Iron
8,11,12	O-ring	NBR
9	Holding ring	Copper alloy
10	Gland	Ductile Iron
13	Handwheel	Ductile Iron

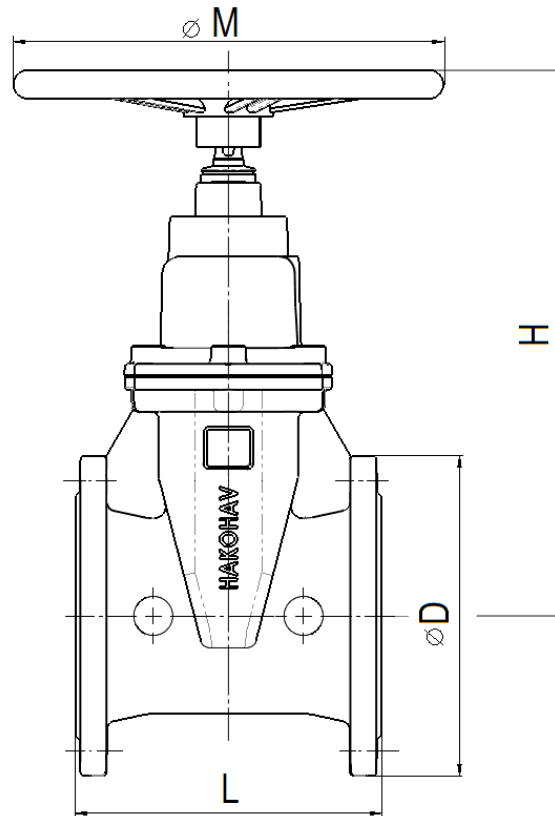
*For additional options please contact our sales department.



Face to face acc. to	EN 558-1 series 14 (DIN 3202 F4)
	EN 558-1 series 15 (DIN 3202 F5)
	EN 558-1 series 3 (ANSI B16 B16.10)
Flanges acc. to	EN 1092-2 (ISO 7005-2) PN 10
	EN 1092-2 (ISO 7005-2) PN 16
	AS 4087 (BS 10 Table D)

Dimensions

HAK GATE VALVE



	mm	50	65	80	100	125	150	200	250	300	350	400	450	500	600
	inches	2"	2.5"	3"	4"	5"	6"	8"	10"	12"	14"	16"	18"	20"	24"
General	L (F4)	150	170	180	190	200	210	230	250	270	290	310	330	350	390
	L (F5)	250	270	280	300	325	350	400	450	500	550	600	650	700	800
	L (BS5163)	178	190	203	229	254	267	292	330	356	381	406	432	457	508
	D (EN 1092-2 PN 10)	165	185	200	220	250	285	340	395	445	505	565	615	670	780
	D (EN 1092-2 PN 16)	165	185	200	220	250	285	340	405	460	520	580	640	715	840
	D (ANSI B16.1/B16.42)	152	178	191	229	254	279	343	406	483	533	597	635	699	813
	D (AS4087)	-	-	185	215	-	280	335	405	455	525	580	640	705	825
	H	220	255	280	320	355	400	510	600	685	810	900	985	1065	1265
	M (optional)	200	200	254	254	315	315	315	406	406	500	500	500	650	650

Note: Due to company's policy of continuous improvement, HAKOHAV reserves the right to change specification without prior notice.